

VERSORGER 

TRINKWASSER



catalog issue 05

DIN 30710 / 12 Plusline
Flexibel, unelastisch, druckfest



Compact and versatile: Versorger 1IP / 11P

Trailer for spare supply of drinking water with a capacity of 1,000 (insulated version) respectively 1,100 l (uninsulated version). Thanks to its low total weight of 1,500/ 1,600 kg, it is not difficult to pull the unit by transporters and most of conventional cars. The integrated pump enables the system quickly and reliably to be connected to local supply networks. Low-water protection, check valve, as well as electronic pressure and flow monitors are provided. Pumping and/or dispensing operation are possible.



Options (upon request)

- Dispensing set with 1 or 2 taps
- Reflective sheeting on top of tank
- Warning mark red/white ### electronic level indicator
- Antifreeze heater for the Versorger - unit
- Bottom with aluminum checker plate
- Chassis with shock absorbers
- Trailer coupling lockable

Standard equipment

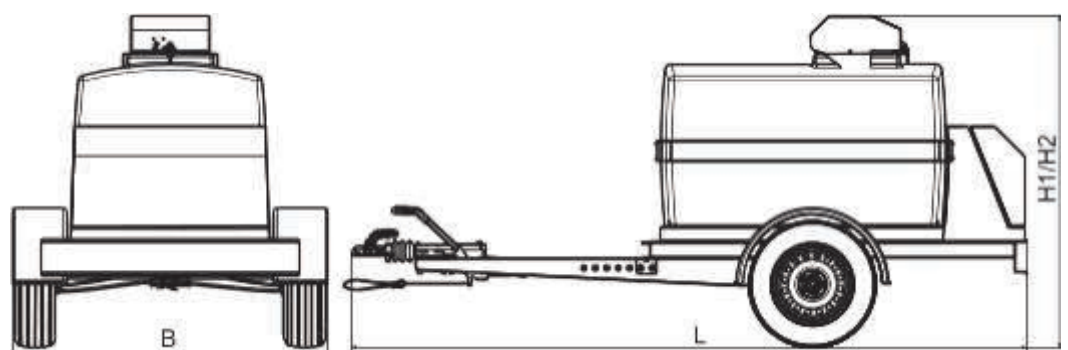
- Tanks acc. to DVGW and KTW standards
- Chassis with brake and tow ball coupling
- Capacity 1,000 L (insulated version)
- 1,100 L (uninsulated version)
- Dome unit made of stainless steel
- Pump with automatic control VTW-1-2-29-M in Versorger unit made of stainless steel



Data at a glance Versorger 1IP / 11P

Capacity insulated / uninsulated ca.:	1.000/1.100 ltr
Connected load:	230V/16A
Permissible total weight insulated/uninsulated:	1.500/1.600 kg
Power consumption:	0,9 kW
Maximum feed pressure:	3,0 bar
Delivery height with pressure and flow monitor ca. :	15/25 m
Maximum flow at 25 m/max.:	2,0 / 6,4 m ³ /h

Dimensions:	
L:	3.450 mm
B:	1.550 mm
H1:	1.677 mm





Quickly on site, whenever needed: Versorger 11 / 111

Trailer for emergency supply of drinking water with a capacity of 1,000 (insulated version) respectively 1,100 l (uninsulated version). Without pump, only for dispensing operation.

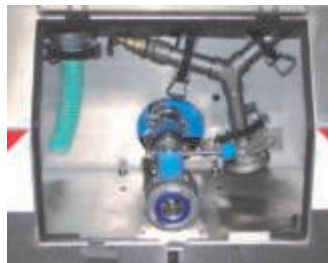
Equipped with the proven dome unit and a lockable fittings case, both made of stainless steel. The outlet part features a special connector, if the external pressure increasing unit is intended to be used.

Versorgerbox (Option)

- External pressure increasing unit for drinking water tank. Pressure and flow monitor for automatic operation is included. Even though the model is optimized for use together
- with Versorger unit 11/111, it proves to be convenient also
- for other trailers and drinking water tanks.
- For further options, refer to page 10



Standard equipment



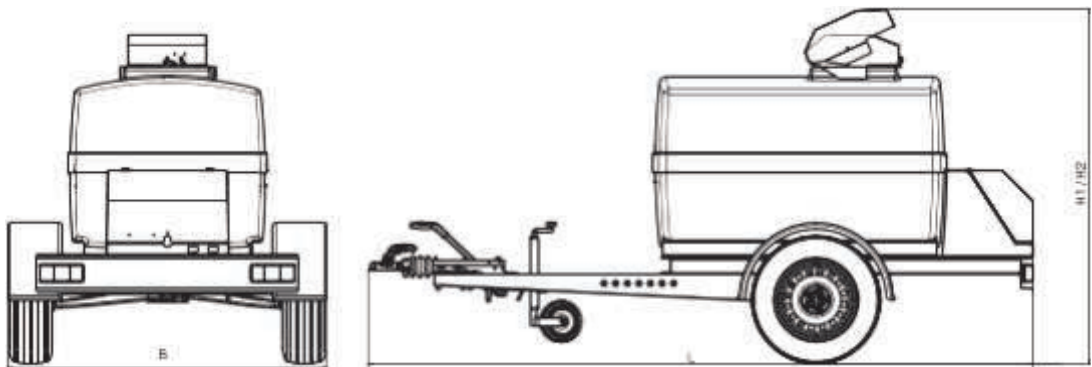
- Tanks acc. to DVGW and KTW standards
- Chassis with brake and tow ball coupling
- Capacity 1,000 L (insulated version)
- 1,100 L (uninsulated version)
- Dome and fittings case made of stainless steel



Daten im Überblick: Versorger 11 / 11

Capacity insulated ca.:	1.000 ltr
Capacity unisolated ca.:	1.100 ltr
Permissible total weight insulated/uninsulated:	1.500/ 1.600 kg

Dimensions:	
L:	3.450 mm
B:	1.550 mm
H1:	1.677 mm





Trinkwasser Transport- und Versorgungsanhänger Versorger 25 I/IP

Transport and supply unit for drinking water, compact size with insulated tank and a capacity of ca. 2,450 l.

The permissible total weight amounts to only 3,500 kg. The unit is equipped with the proven dome unit incl. filling connector Storz C and additional revision flap.

This feature grants easy access to all zones of the tank. Pump with automatic control (V 25IP) and tandem chassis for smooth run are provided.

As an option, a drawbar adjustable in height is available.



Standard equipment

- Tank acc. to DVGW and KTW standards
- Tandem chassis with brake
- Rigid drawbar with ball hitch (for cars)
- Inspection port hole, lockable
- Bottom with aluminum checker plate
- 2 rugged spindle supports in front
- Dome unit made of stainless steel
- Fittings case made of stainless steel (V25 I)
- Pump with automatic control VTW-2-2-42-M in large stainless-steel Versorger unit (V25 IP)



Options available

- Dispensing set with 1 or 2 taps
- Warning mark red/white
- Antifreeze heater for the unit
- Bottom with aluminum checker plate
- Chassis with shock absorbers
- Trailer coupling lockable
- Drawbar adjustable in height
- Ring hitch for drawbar (for use with trucks)

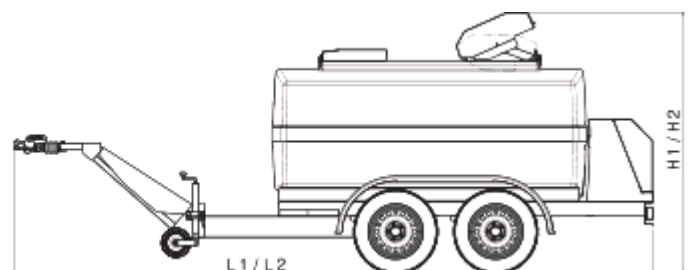
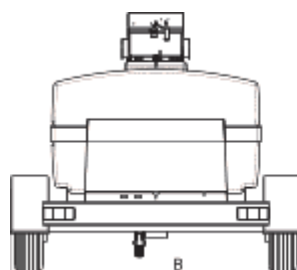
Data at a glance Versorger 25 IP/25 I

Capacity insulated / uninsulated ca.:	2.450 L
Permissible total weight:	3.500 kg
Connected load:	230V/16A
Power consumption:	1,1 kW
Maximum feed pressure:	4,5 bar
Delivery height with pressure and flow monitor ca. :	15/25 m
Maximum flow at 25 m/max.:	4,5 m ³ /h

*- nur V25 IP

Maße ca.:

B:	1.960 mm
L1/L2:	4.400 / 4.760 mm
H1/H2:	1.710 / 1.870 mm





Trinkwasser Transport- und Versorgungsanhänger Versorger V50 IP / V65 IP



The "big one" completes the range: transport and supply trailer V 50I / IP with a capacity of approx. 4,800 to 6,500 liters and a permissible total weight of 6,500 / 8,500 kg. Equipped with large stainless steel dome unit with connection Storz C and a lockable inspection hatch made of stainless steel.

The design of the tank ensures a low center of gravity and thus good driving characteristics.

The chassis is equipped with a 4-wheel air brake system with automatic anti-lock device (ABV).

Dome Unit



Standard Equipment

- Tank acc. to DVGW and KTW standards
- Tandem chassis with brake
- Rigid drawbar with ring hitch for trucks
- Inspection port hole, lockable
- 2 wash plates
- Dome unit made of stainless steel, length 500 mm, with connector Storz C
- 2 rugged spindle supports (each in front and rear side)
- Versorger unit with pump VTW-2-2-43 M

Data at a glance Versorger 50 IP:

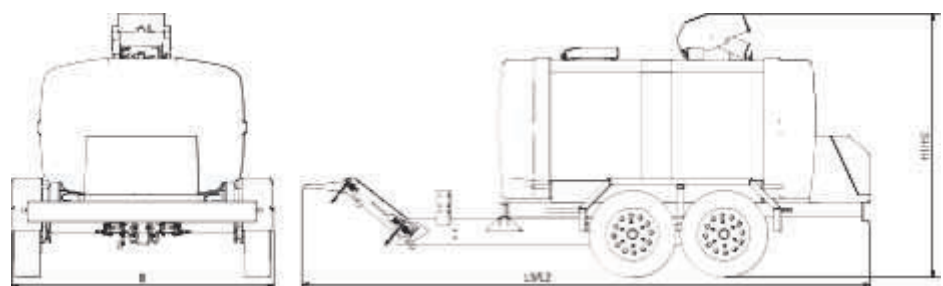
Capacity:	5.000 L
Connected load:	6.500 kg
Support load:	650 kg
Power consumption:	1,35kW /230 V
Delivery height with pressure and flow monitor ca. :	15/26 m
Maximum flow at 25 m/max.:	4,0/9,0 m ³ /h

Options available

- Large rear assembly with additional storage capacity
- Additional storage box made of stainless steel
- Warning mark acc.to DIN EN 30710
- Antifreeze heater for Versorger unit
- Bottom completely with aluminium checker plate
- For further options, refer to page 10

Dimensions ca.:

B:	2.260 mm
L1/L2:	5.000 / 5.200 mm
H1/H2:	2.160 / 2.300 mm





Drinking water- Tank modules and containers with a capacity of 1,000 / 1,100 l

Drinking water containers and modules have been designed for flexible mobile or stationary use. They can be installed on trailers and platform vehicles, and put down at the location of interest. Insulated and non insulated items are available, closure to be selected, integrated pump with automatic control upon request.

Drinking water supply module V 11M / 11 M



Container module on galvanized self-supporting steel frame with trailer lugs. This configuration is ideally suited for stationary or partially stationary use, or as a structure to be attached to vehicles, trailers etc.

The module can alternatively be equipped with a dome unit or a dome cover (stainless steel) and air vent. Optionally, fittings case or a Versorger unit are available.



Drinking water container V 11M / 11 M

As the module is completely encircled by a hot-dip galvanized steel frame, transport by crane does not give rise to difficulties, even in filled state. In empty state, it can be manually driven by means of the drawbar included in the delivery. A stainless steel dome unit and a stainless steel fittings case are provided as well.



Incl. optional Versorgerbox

Tank module V1 IK / V11 K

Water tank mounted on skids, upon request also on planks. Preferably for stationary use. Available with dome unit, dome cover with insect screen or as a simple dome cover made of plastics. Different connectors can be selected upon request.



Data at a glance:	
Capacity insulated / uninsulated ca.:	1.000/1.100 ltr
Permissible total weight insulated/uninsulated:	230V/16A
Power consumption:	0,9 kW
Maximum feed pressure:	3,0 bar
Delivery height with pressure and flow monitor ca. :	15/25 m
Maximum flow at 25 m/max.:	2,0 / 6,4 m ³ /h



Drinking water supply module Versorger 25 IPM / 25 IM

Drinking water containers and modules with a capacity of 2,500 l. Just like the models of the smaller series, they are appropriate for flexible stationary and mobile applications. They can be installed on trailers and platform vehicles, and put down at the location of interest. Insulated and non insulated versions are available, different dome types, integrated pump with automatic control upon request.



Standard Equipment

- Tanks acc. to DVGW and KTW standards
- Completely encircled by steel frame with stacker pockets respectively crane eyes
- Fittings case respectively Versorger unit made of stainless steel
- Dome unit and inspection port hole made of stainless steel

Options (upon request)

- Tanks acc. to DVGW and KTW standards
- Completely encircled by steel frame with stacker pockets respectively crane eyes
- Fittings case respectively Versorger unit made of stainless steel
- Dome unit and inspection port hole made of stainless steel

Data at a glance:

Capacity ca.:	2.450 ltr
Permissible total weight:	2900 kg
Power consumption:	1,35 kW
Delivery height with pressure and flow monitor ca. :	15/25 m
Maximum flow at 25 m/max.:	4,5 m ³ /h

Drinking water-hose „Versorger“

- tested according to worksheet DVGW W 270 (biofilm formation)
- certified according to worksheet DVGW VP 549 as well as according to KTW guideline
- complies with DIN 2001-2 "Drinking water supply from small and non-fixed installations"
- available in 1/2 " ; 3/4 "rolls of 40 m each



- Operating pressure up to 10 bar (bursting pressure 45 bar)
- very low wall roughness, i. high flow
- light-tight, on request also in light
- UV and lightfast, transparent version available
- extremely light (about 25% lighter than other hose materials)
- Operating temperature: -20 ° C to +65 ° C
- easy to clean inner and outer surfaces
- Marking by hot stamping with production data
- traversable



Versorger unit (Models with pump/pressure increasing unit)

The integrated Versorger - unit enhances flexibility and proves to be meaningful for a great variety of applications. The discharge set e.g. can be used also for pure dispensing without pump. A recess for attachment of a dispensing set (refer to accessories) or of a 1" hose (for discharge with closed flap) is present.

- Pump VTW with electronic pressure and flow monitor (limits the delivery height to 15/25 m), low-water protection and check valve
- **Large flap grants easy access to pump and all connectors (can be locked when system running)**
- Pump can be dismantled, hose connection to be removed without tools in no time.
- Cable connection 8 m, PRCD-S safety switch
- All couplings, connectors and fittings made of stainless steel



Fittings case (Models without pump)

The fittings case consists of stainless steel, is lockable and protects elements contained from damage and contamination.

- **Practical brackets for dispensing set and discharge connector are integrated**
- **Supplementary connecting possibilities for Versorger box (an optional connector set is required)**
- **All couplings, connectors and fittings made of stainless steel**



Dome unit

The dome unit enables the tank quickly and safely to be filled. The construction disposes of utility model protection, ensures free passage of the water, ventilation and simultaneously prevents foreign objects from entering during the filling procedure (e.g. rain-fall). The cover can be installed and fixed in a few simple steps.

- **Lockable when system in operation, according to the needs of the client**
- **Free discharge during filling procedure is warranted acc. to DIN EN 1717**
- **Sufficient ventilation during filling procedure, offering protection at the same time (roof)**
- **Insect protection respectively filtration of entering air circulation**
- **Sightglass for supervision of the filling procedure**
- **Stable attachment of the filling hose (Storz D for V 1/11, Storz C for V 25/50)**





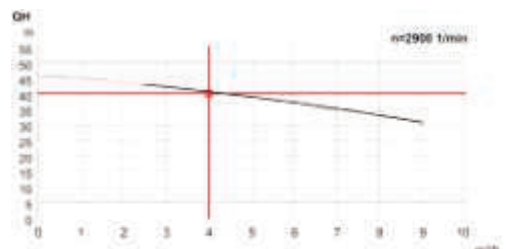
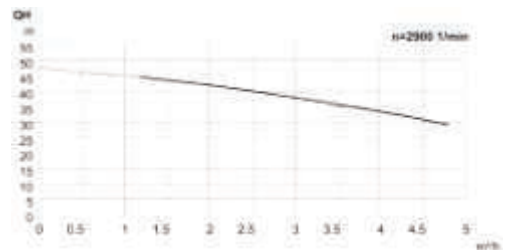
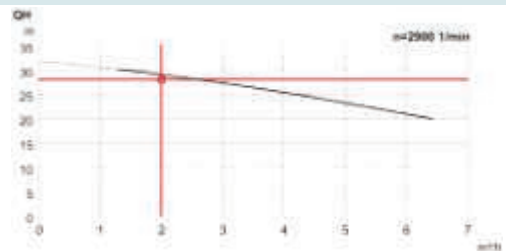
Inspection port hole



Tanks with a capacity above 2,400 L additionally to the dome unit feature an inspection port hole made of stainless steel. These items can be locked by DIN cylinder according to the needs of the client. Easy access to all zones of the tank for purposes of inspection and cleaning remains ensured.

Potable water pump Versorger

The centrifugal pumps of the Versorger VTW series have been specially developed for mobile use in the drinking water sector. The design of the one- or two-stage pumps with open impeller and a large, exactly at the lowest point positioned drain opening ensures complete emptying. All wetted metal parts are made of stainless steel 1.4401, Seal with test certificate according to UBA Elastomer for drinking water.



Model	VTW 1-2-29-M	VTW 2-2-42-M	VTW 2-2-43-M
Delivery height max. ca.:	30m	40m	45m
Flow rate max.:	6,4 m³/h	4,8 m³/h	9,0 m³/h
Flow rate at:	4,0 m³/h; 25m	2,5 m³/h; 40m	4,0 m³/h; 40m
Connection:	230V/10A	230V/10A	230V/16A
Power output:	0,85 kW	1,1 kW	1,35 kW
Weight kg:	12 kg	13 kg	14 kg

Potable water pump Wilo

Lightweight compact four-stage centrifugal pump with an excellent price-performance ratio. All metal parts in contact with liquid are made of stainless steel 4.4404. Axial face seal consists of EPDM. KTW/WRAS release for all parts in contact with liquid. Models with higher performance data are available upon request.

Data WILO MHIE 204 EPDM	
Delivery height max. ca.:	42m
Flow rate max.:	5,0 m³/h
Flow rate at:	2,0 m³/h; 34m
Connection:	230V/10A
Power output:	0,55 kW
Weight kg:	10,6 kg





Drawbar

Drawbar box made of stainless steel, lockable to accommodate hoses in a clean and safe manner, Versorger lightweight distributor and other accessories.

Different sizes for all trailers are available.

The load capacity depends on the permissible support load of the corresponding trailer. If required, adapt the load by reducing the water quantity.

Drawbar adjustable in height

This option enables alternatively cars, trucks and transporters to be used as towing vehicle. Note that the total weight this way is increased by 100 kg.

It is recommended to make use also of the ring hitch option (for trucks), which can simply be exchanged by a car clutch.

Available as an option for V1/V11/V25 Standard for models Versorger 50/65

Level Indicator

Battery-operated electronic level indicator for all types of box-shaped tanks. It is safely installed inside the unit, and can be inspected from outside through a sightglass.

The level is displayed in for of % of tank volume. With the system running, the lifetime of a battery set amounts to 4-6 weeks. Lifetime of the battery ca. 1 year.

Dispensing set

For connection to transport trailer or container. The anti-rotation device prevents the item to be dismantled from outside. One or two spring valves are provided as well. Alternatively, versions with different connector or screw-on valve are available.

Support for dispensing set

This device enables the dispensing set safely to be stored in the unit during transport.





Versorgerbox

- External pressure increasing unit for drinking
- water tank. Pressure and flow monitor
- for automatic operation is included. Even though the model is optimized for use together
- with Versorger unit 11/111, it proves to be convenient also
- for other trailers and drinking water tanks.
- For further options, refer to page 10



Bottom with aluminium checker plate



Fender cover consisting of aluminum checker plate

Available only together with the aluminum checker plate bottom. It prevents dirt, road salt and gravel from being hurled against the tank.

Reflective warning mark red/white.

RAL-reflective sheeting acc. to DIN EN 30710 totally encircling the unit or only for tank or Versorger unit / fittings case. Enhances the road safety, as the unit can be recognized at once from all sides.



Lockable trailer coupling for cars

Integrated safety: As soon as the coupling is locked, the trailer cannot be removed anymore. Inserting the safety ball included in the delivery prevents unauthorized attachment of the trailer.



Softdock for trailer coupling (cars)

Prevents damages during coupling procedure

Filling Hose

Drinking water hose 3/4", length 6m, crimped with brass couplings, other nominal diameters upon request



Half-stationary large tank 20 m³

Half-stationary rectangular GRP tank for drinking water with a capacity of 20,000 L, encircled by roto frame. The tank is transported in empty state and filled on site.

Useful as a buffer, temporary elevated tank for repair cases, storage tank for plants, camps etc. which are only in temporary use.



Half-stationary large tank 30 m³

Half-stationary rectangular GRP tank for drinking water with a capacity of 30,000 L, encircled by roto frame. The tank is transported in empty state and filled on site.

Illustration shows application for residual water, available for drinking water as well.



Transport Tank 10 m³

GRP transport tank 10 m³ on roto frame, here shown for transport of bio-press water, available for drinking water as well.



Trio 65

Half-stationary GRP tank with a total capacity of 6,500 l.

This item is intended for mounting on vehicles and baseframes for different applications, e.g. system separation by combining different sources.

Example: System separation in parallel connection for fire-extinguishing use, in combination with a free outlet AA as feed tank corresponding to DVGW W 405-B1 (A)



Trinkwasserverteiler TWV 4 / TWV 5 / TWV 6

Mobiler Verteiler für Trinkwasser auf Veranstaltungen und Volksfesten, zur Notversorgung etc. Lieferbar mit 4-6 Zapfstellen. Optional mit einem Systemtrennung BA pro Zapfstelle. Das geräumige, hochwertige Edelstahlgehäuse ist abschließbar und schützt somit vor Verschmutzung und unbefugtem Zugriff.

Ausstattung

- großes 2" Verteilerrohr aus Edelstahl und Schrägsitzventil mit Rückschlagklappe
- Storz-C-Anschluss jeweils links und rechts, damit können weitere Verteiler angeschlossen werden
- 4, 5 oder 6 Zapfstellen, einzeln absperrbar, jeweils mit Systemtrenner "BA" und unverlierbaren Blindkappen
- verschließbare Klappe
- Öffnungen für Anschlüsse können für den Transport verschlossen werden
- Optional: Probe-Entnahmehahn, abflammbar, Reflex-Warnmarkierung, 2 Fahrrollen

Sondergrößen und andere Ausführungen auf Anfrage



Verteilerschrank

Verteilerschrank für Trinkwasser zum kurzzeitigen oder dauerhaften stationären Einsatz. 5 oder 6 Abgänge DN 25 mit vollem Durchgang, ausgestattet mit Kugelhähnen oder Scheibenventilen, auf Wunsch Wasserzähler sowie Systemtrenner. Dämmung sowie thermostatgesteuerte Heizung als Frostschutz.



Leichtverteiler

Verteilerrohr auf klappbaren Standfüßen, leichte Konstruktion, die schnell aufgestellt und abgebaut sowie in der Deichselbox verstaut werden kann.

Ausgestattet mit 4 Auslauf-Kugelhähnen 1/2"; Systemtrennung auf Anfrage.





Development and sales:

teckons
GmbH & Co KG

teckons GmbH & Co KG
Gesellschaft für Technik und Beratung

Am Technologiepark 2
03099 Kolkwitz

Tel: +49 355/4946888-5
Fax: +49 355/4946888-3

Consulting and Sales:

Mrs Silvia Rudolph

+49 174/3026311
s.rudolph@versorger-1.de

www.versorger-1.de

Representations abroad:



Aquaform AG
Gewerbestrasse 16
4105 Biel-Benken

Tel. +41 61 726 64 00

www.aquaform.ch



VESITA INFRA OY
PL 176
65101 VAASA
Lastausväylä 2
60100 SEINÄJOKI

www.vesita.com